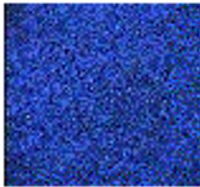


Century Products, Inc

Resilient Safety Surfacing

CENTURY PRODUCTS TILE – 24” X 24” (2.5” OR 3.5” thick) is designed specifically for use under and around playground equipment, and provides a firm, stable, slip-resistant, safe play surface that meets ADA requirements for wheelchair accessibility.

Available in the four standard solid colors shown below. The Azure, Charcoal, Terra Cotta and Verde tiles are produced using 100% crumb rubber derived from tire recycling. Confetti tile is produced using approximately 90% recycled tire rubber with the top color portion composed of approximately 10% custom **EPDM**.



Azure



Charcoal



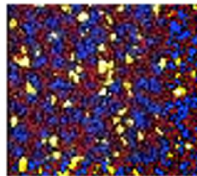
Terra Cotta



Verde

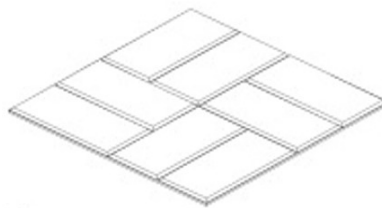
ACTUAL TILE COLOR MAY VARY FROM BROCHURE. PLEASE REQUEST SAMPLE.

EPDM TILE



Confetti

CENTURY PRODUCTS SPORTS FACILITY/WALKWAY PAVERS – 24” X 24” are available in Azure, Charcoal, Terra Cotta, and Verde, and in both 1/2” and 3/4” thickness. Produced using 100% recycled rubber from tires, Delta Flex Pavers provide an affordable, safe, quality product for your surfacing needs.



PLEASE CONTACT **CPI** AT **951/734-3262** FOR ASSISTANCE WITH DESIGN, LAYOUT, AND **COMPETITIVE PRICING** FOR YOUR INSTALLATION.

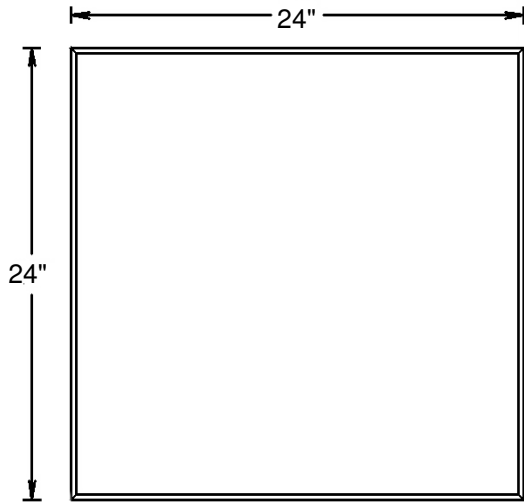
CPI CENTURY PRODUCTS, INC -

1921 Sampson Ave, Suite A, Corona, Ca 92879 951/734-3262 Fax: 951/734-2350
cpicentral@aol.com www.deltaflexproducts.com

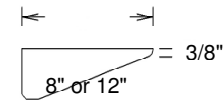
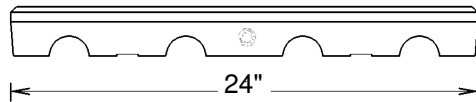
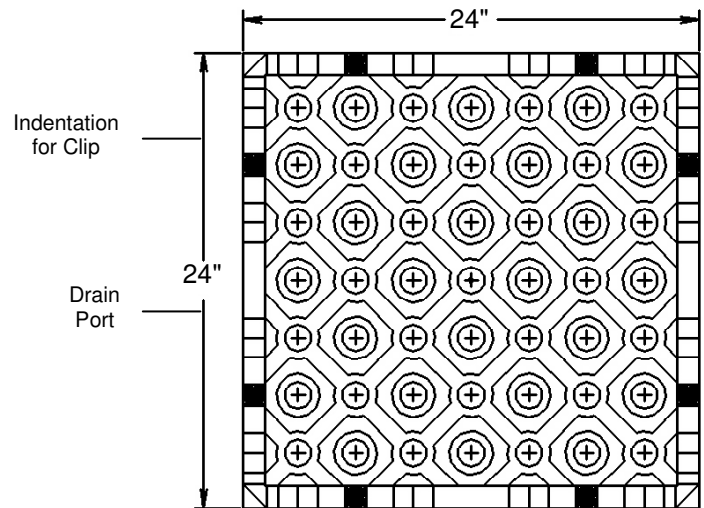
Resilient Rubber Floor Tile Specifications

SPECIFICATIONS (2.5" and 3.5" Thickness)

Tile Top View

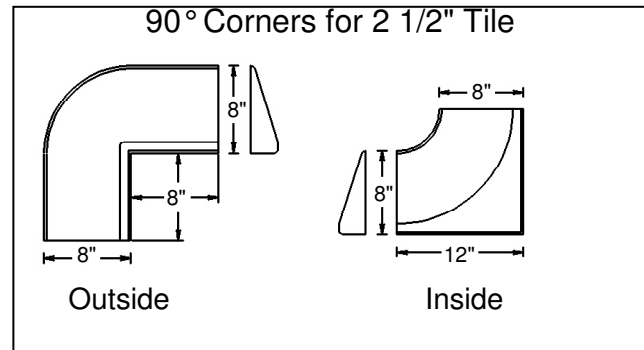
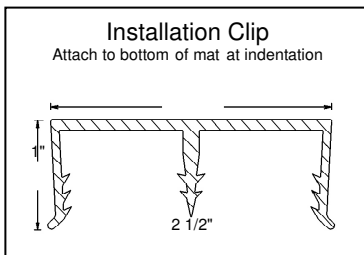


Tile Bottom View

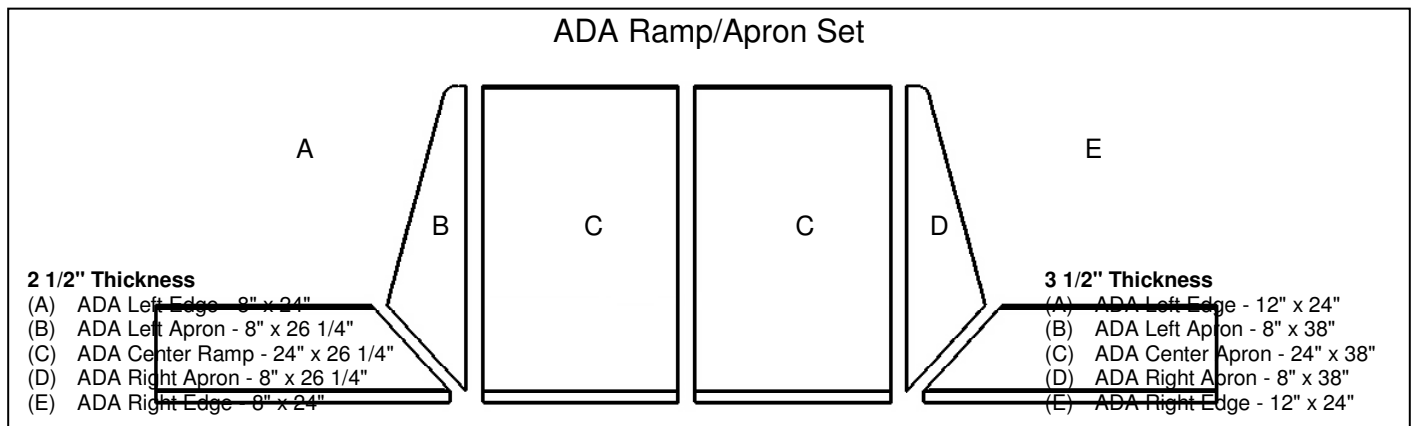


Tile Side View

Edge Side View



ADA Ramp/Apron Set



CPI CENTURY PRODUCTS, INC

1921 Sampson Ave, Unit A, Corona, Ca 92879 951/734-3262 Fax: 951/734-2350

cpicentral@aol.com www.deltaflexproducts.com